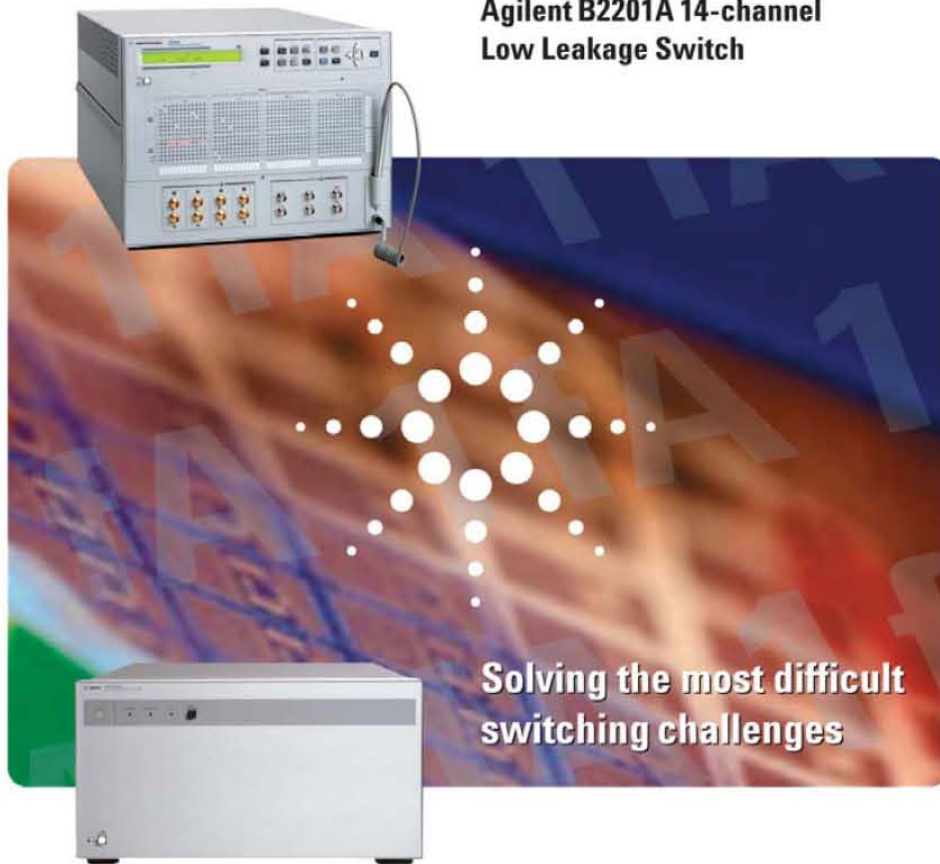


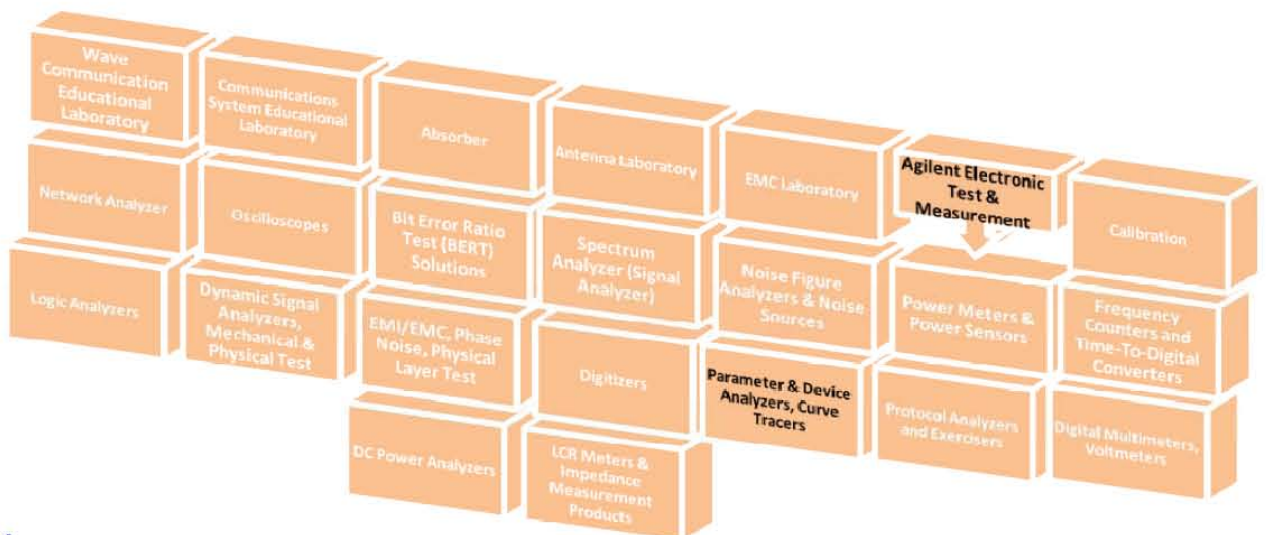
**Agilent B2200A Femtoamp
Low Leakage Switch**

**Agilent B2201A 14-channel
Low Leakage Switch**



**Solving the most difficult
switching challenges**

**Agilent E5250A
Low Leakage Switch**



Economical non-Kelvin switching matrix solution

Simple non-Kelvin solution for moderate performance needs

The E5250A and E5252A matrix card combine to form a basic non-Kelvin matrix solution. The E5252A card has 6 triaxial inputs and 4 BNC inputs, with 6 internal paths. The inputs to rows 5 and 6 consist of a 3-to-1 multiplexer. This configuration maintains cost-effectiveness without sacrificing essential CV-IV measurement performance.

Support for low current and CV measurement

The E5250A with E5252A cards is capable of supporting precise CV-IV measurements, although the level of flexibility is less than that provided by the B2200A and B2201A. The E5252A card has two low-current paths available, and using these inputs you can achieve measurement resolution of 20 fA to 30 fA. Two multiplexed coaxial inputs are also optimized for use with a capacitance meter to improve the accuracy of CV measurements.

Test automation capability

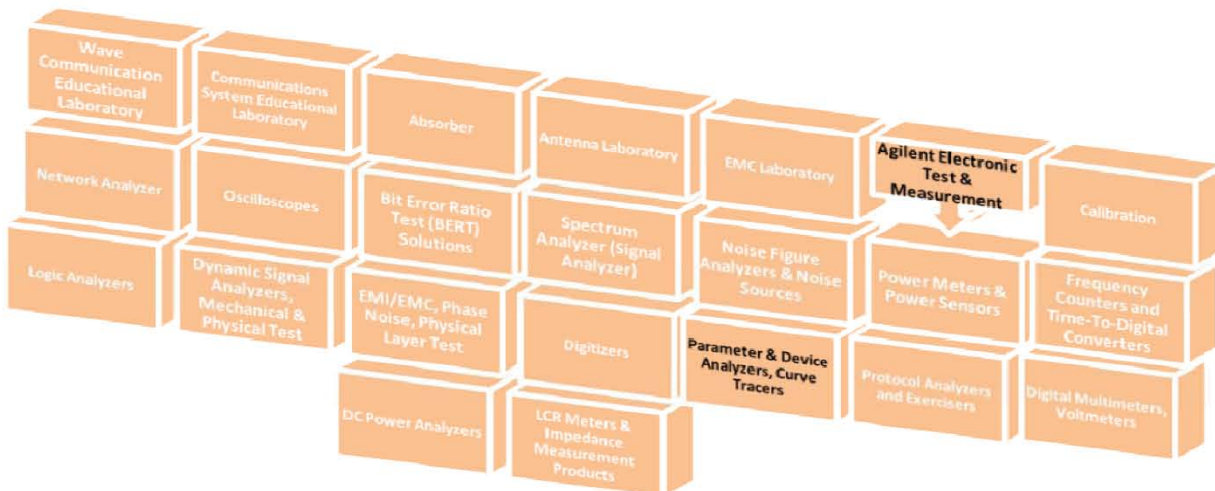
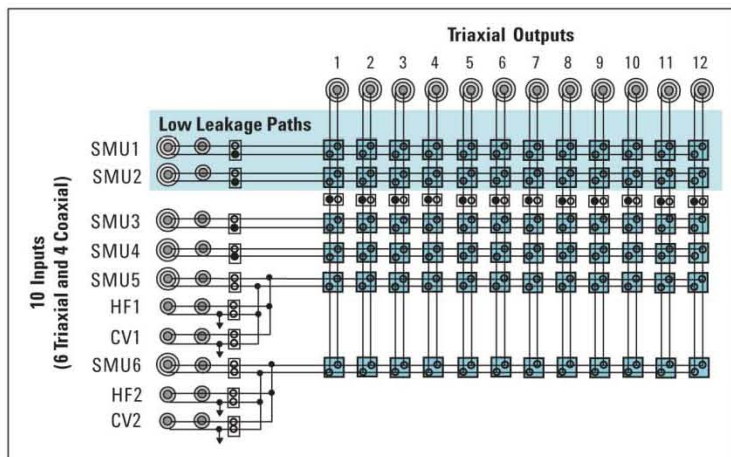
The B1500A EasyEXPERT software can programmatically control the E5250A with E5252A cards using application tests, which permits test automation. Sample application tests to perform this function are downloadable from the B1500A Web site.

E5250A Low Leakage Switch (rear view)



The E5250A supports up to four E5252A matrix cards to provide up to 48 triaxial outputs.

E5252A Matrix Card



Switching S

Agilent Multipurpose Switching Matrices



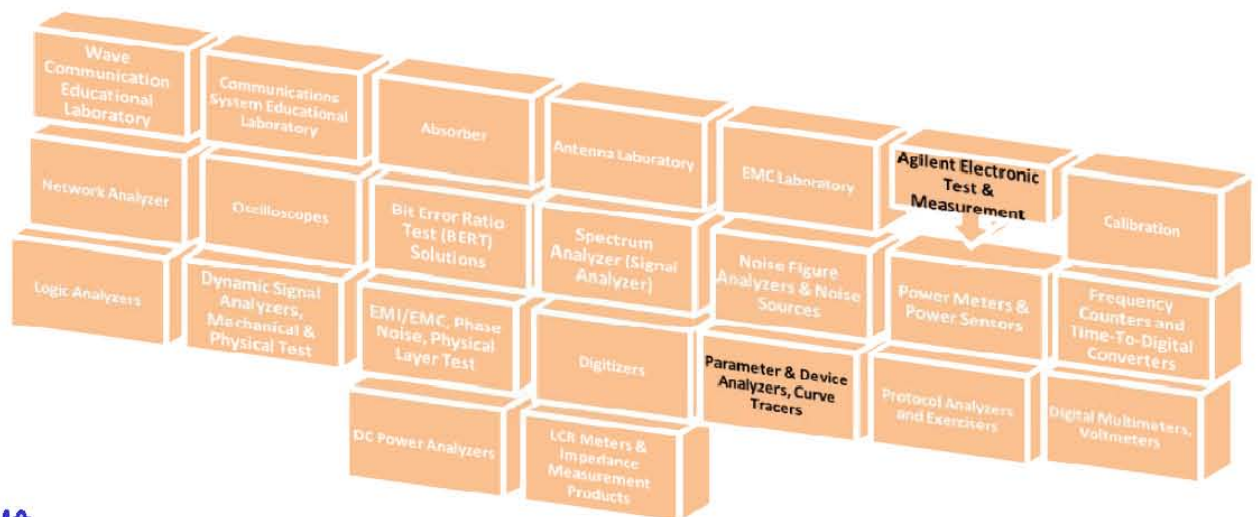
**B2200A Femtoamp
Low Leakage Switch**



**B2201A 14-channel
Low Leakage Switch**



**E5250A
Low Leakage Switch**





Parameter & Device Analyzers, Curve Tracers

Solutions that provide CV-IV Measurement Performance without Compromise



1 fA Kelvin CV-IV Measurement Solution



fA or 10 fA Kelvin CV-IV Measurement Solutions to the Probe Tips



10 fA Kelvin CV-IV Measurement Solution



Multisite Reliability Test Solution



Non-Kelvin CV-IV Measurement Solution

